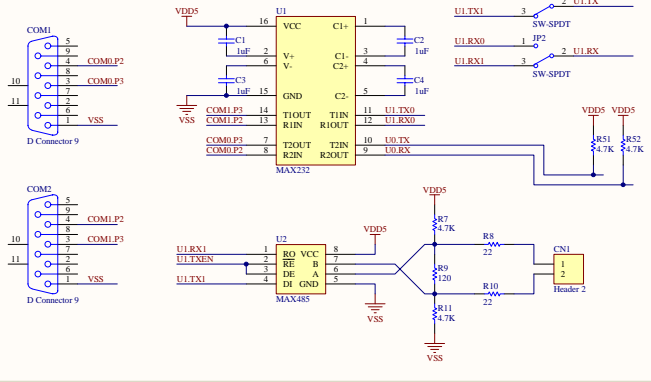


EC30-EKSTM32

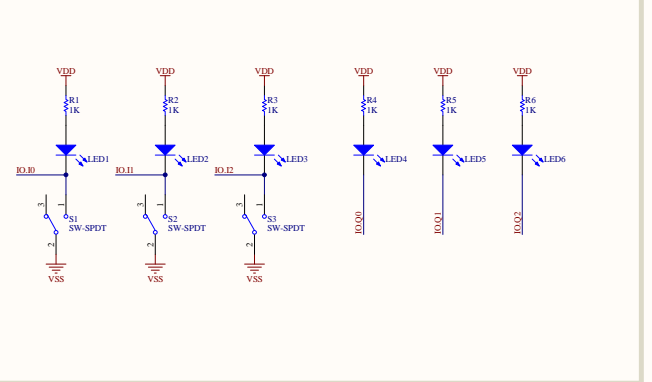
P1			P2			P3		
VSS	1	VSS	2	VDD	1	VSS	1	VDD
NC17S	3	VDD	4	VDD	IOQ1	3	IOQ2	4
SEG.CLK	7	NC	6	NC1/6	BOOT0	5	PB0	6
SEG.DAT	9	PC13	8	NC1/8	EC.SCL	7	BOOT0	8
SEG.CS0	11	PC0	10	NRST	NRST	9	PB6	10
VSS	13	PC2	12	SEG.CS3	UI.TXEN	11	PD2	12
SEG.CS1	15	VSA	14	SEG.CS2	UI.RX	13	PC10	14
SPL.MISO	17	PA0	16	VDD	JTDI	15	PC11	16
SPL.MOSI	19	PA1	18	SO.OE	JTDS	15	PA15	16
DC1	23	PA6	20	SO.DS	UI.RX	19	PA13	20
SPL.SS	21	PA4	22	SPL.CLK	UI.TX	21	PA10	22
DC2	25	PA8	24	SPL.MOSI	SO.CS	23	PA8	24
DC3	27	PC4	26	SEG.CS2	IO.D	25	PC9	26
SPL.D0	29	PB0	28	ADCO	NC27/27	27	PC7	28
		PB1	30	SEU	NC	28	NC2/28	29
		PB10	30	SEU	NC	29	NC2/30	30

EC30-EKSTM32R1 EC30-EKSTM32R2

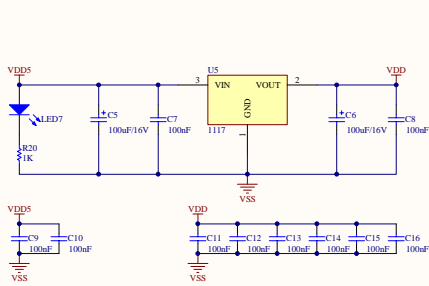
USART



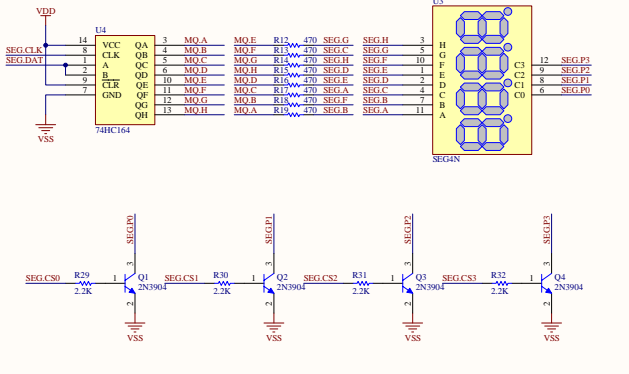
GPIO



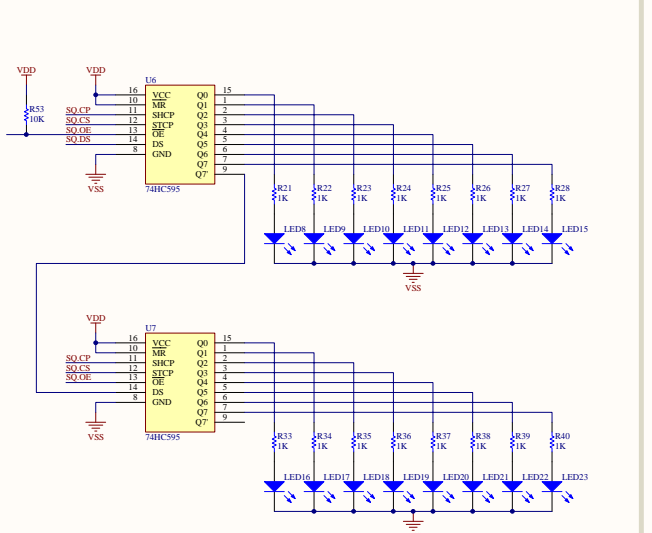
POWER



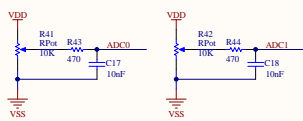
SLED



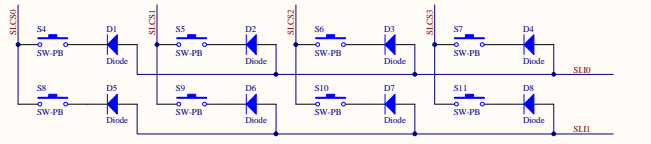
SOUT



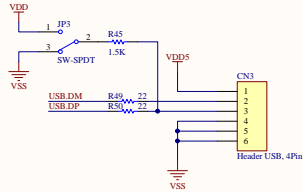
ADC



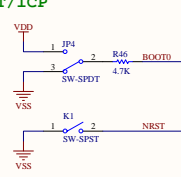
SIN



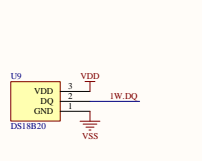
USB



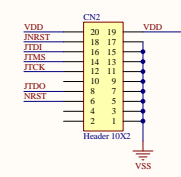
RESET/ICP



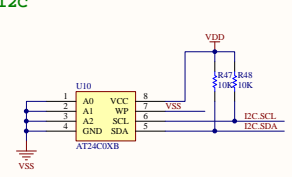
1-Wire



JTAG



I2C



SPI

